

防伪查询，拒绝假货，请认准TWB® 正品轴承。

Please refuse fakes and recognize TWB® bearing with security code verification.



二维码查询：

用手机微信扫描轴承外包装上的二维码标签即可自动跳出产品信息。

QR Code Inquiry:

Scanning the QR code on the package through app of wechat by mobile phone, the product information will jump out automatically.



防伪码查询：

打开TWB官网<http://www.twb.com.cn>，点击菜单栏：网络营销——防伪查询，在防伪码空白输入框内完整输入轴承上的防伪代码，点击查询按钮即可。

(部分产品因尺寸原因无法刻录防伪码。)

Security Code Verification Method:

Open TWB official website <http://www.twb.com.cn>, click on the menu bar: Sales Network——Security Code Verification, input the security code (letters in uppercase), click the "Verify" button, as shown in the figure. (Security code could only be applied on some products due to dimension reason.)

备注：若有疑问请咨询厂家或授权经销商。

Note: please contact us or authorized distributor.

TWB®

工业洗涤机械轴承 Industrial Washing Machine Bearings



沈阳瑞思达轴承有限公司 SHENYANG TOTAL BEARING CO.,LTD.
Tel: 024 22945833 22923833 24853899 Fax: 024 88729249
Mobile: 13940483518 15640413155 (微信)
Web: <https://www.rstbearing.com.cn>



江苏帝达贝轴承有限公司

地址：江苏省无锡锡山经济开发区蓉洋一路8号
邮编：214192
电话：86-510-8562 0688
传真：86-510-8562 6208, 8562 6308, 8562 9206
邮箱：twbinfo@twb.com.cn
网址：www.TWB.com.cn

Jiangsu TWB Bearings Co., Ltd.

Address: No.8 Rongyang Yi Road, Xishan Economic Development Zone, Wuxi, Jiangsu
Post Code: 214192
Telephone: 86-510-8562 0688
Fax: 86-510-8562 6208, 8562 6308, 8562 9206
E-mail: twbinfo@twb.com.cn
Website: www.TWB.com.cn



关注TWB官方微信

帝达贝®和TWB®是江苏帝达贝轴承有限公司之注册商标
Jiangsu TWB Bearings Co., Ltd. is the trademark owner of 帝达贝® and TWB®

©2017江苏帝达贝轴承有限公司·中国印制
15-09-2017 编号: 1023

版权所有，不得翻印，违者必究。如有更改，恕不另行通知。

江苏帝达贝轴承有限公司
Jiangsu TWB Bearings Co., Ltd.



公司介绍 Company Profile

江苏帝达贝轴承有限公司，专业制造TWB®品牌的高品质轴承及相关产品。公司致力于成为中国轴承企业的标杆，以先进适用的技术、稳定可靠的产品和专业周到的服务为用户提供更优性价比的解决方案。

TWB®品牌创立于1996年，主要产品包括调心滚子轴承、圆柱滚子轴承、圆锥滚子轴承、深沟球轴承、角接触球轴承以及相关零部件等，TWB®产品广泛应用于冶金、矿山、造纸、电梯、水泥、港口起重、工程机械等行业，以优异的性能与稳定的质量赢得客户的信赖。

公司已取得ISO9001质量管理体系认证、ISO14001环境管理体系认证及OHSAS18001职业健康安全管理体系认证。公司坚持选用优质原材料，严格执行过程控制与质量监控标准，确保产品性能与品质高度一致性，为客户提供可靠的产品。同时，公司通过优化产品结构及改进工艺流程，不断提升产品性能，满足客户更高标准的要求；并且还可以通过共同开发满足客户国产化、定制化需求。

Jiangsu TWB Bearings Co., Ltd. is specialized in manufacturing various high-quality bearings and related products. Committed to becoming the benchmark of Chinese bearing companies, TWB provides optimal solutions with advanced & applicable technology, consistent & reliable bearing products, and professional & attentive services to customers.

TWB® brand was established in 1996, with product range covering spherical roller bearings, cylindrical roller bearings, tapered roller bearings, deep groove ball bearings, angular contact ball bearings, and related parts and accessories. With excellent performance and stable quality, TWB® has been well recognized and wins customers' trust in primary metals, mining, paper, elevator, cement, crane, construction machinery, etc.

The company has obtained ISO9001 Quality Management System certification, ISO 14001 Environmental Management System certification, and OHSAS 18001 Occupational Health and Safety Management System certification. The company provides reliable products by selecting premium raw material, conducting strict process and quality control standards, which ensure high consistency of performance and quality. Meanwhile, the company improves product performance continuously to meet higher standard requirement from customers, by optimizing product structure and improving manufacturing process, and the company could work with customers in joint effort for localization and customization requirement.

工业洗涤机械轴承解决方案

Application Solution of Industrial Washing Machine Bearings

为了更好地适应于工业洗涤机械的工况及要求，TWB团队与客户紧密合作，针对该行业高转速、耐高温、低噪音、低振动的应用要求开发了工业洗涤机械专用轴承，至今已有十多年的成功应用经验，TWB已成为国内大部分工业洗涤机械企业的主要供应商。

In order to meet the working condition and requirements of industrial washing machine in further, TWB team cooperate closely with clients, and develop the special bearings applied in industrial washing machinery, with the features of high speed, high temperature resistance, low noise, low vibration according to the application requirement. Thanks to the successful application experience which lasts more than 10 years, TWB has become the main supplier of most domestic industrial washing machine manufacturers.

选用优质轴承钢作为原材料，采用全自动CNC设备进行加工，严格检测流程，确保轴承的一致性与高品质。

By using selected bearing steel as raw material, and machining bearing by full-automatic CNC equipments with strict detection process, which ensure the consistency and high quality.

采用自行设计的旋转式轴承清洗设备和严格的清洗标准，更好地保证轴承内部清洁度，确保了轴承低噪音的运转要求。

The self-designed rotation-type cleaning equipments and strict cleaning standards, which greatly guarantee the internal cleanliness of bearing, so as to ensure the operation requirement of low noise.

优化滚子与滚道之间的接触状态，既满足较高的承载要求，又达到高速运转需要，且能有效减缓运转时产生的发热，提高寿命。

Optimizing the contact between the roller and the raceway, which not only meet the high load requirement, but also achieve the high-speed operation requirement, and prolong life by reducing the heat generated during operation.

TWB专业的应用技术服务团队，根据客户实际使用工况，协助客户选型，确定适合于工业洗涤机械的轴承游隙。并提供安装与维护支持，帮助客户大大提高了主机的寿命及性能。

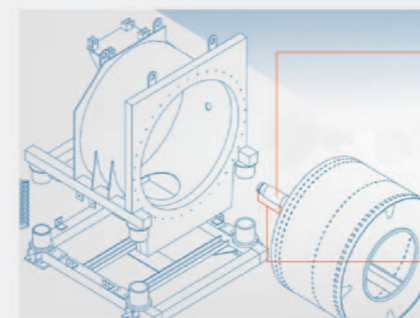
TWB's professional technical service team, help clients select the appropriate bearing clearance of industrial washing machinery, which greatly improve the life and performance of main machine.



TWB工业洗涤机械轴承应用

Application of TWB Industrial Washing Machine Bearings

应用部位
Application position



轴承安装主轴
Bearing assembled with main shaft



典型型号
Typical models

22214 CA/W33	23134 CAK/W33
22216 CA/W33	23138 CAK/W33
22219 CA/W33	23220 CA/W33
22222 CAK/W33	23220 CAK/W33
22224 CAK/W33	23224 CAK/W33
22228 CAK/W33	23226 CAK/W33
22232 CAK/W33	23228 CAK/W33
23122 CA/W33	